

Kinetico Simplex H

Design Specifications

Flow Rate 1 Δ bar20 Lpm
 Pressure Range 1.0 – 8.6 bar Dynamic Pressure
 Temperature Range 2 – 49°C
 Min. Flow Rate1,1 Lpm
 pH Range 5 – 10 SU
 Free Chlorine Cl₂ (Max.) 2.0 mg/L
 Hardness as CaCO₃ (Max.) 555 mg/L
 Meter settingAccuDial

System Components

Media Vessel (Qty.) Size (1) 152 x 330 mm
 Media Vessel Construction Fiberglass Wrapped Polypropylene
 Empty Bed Volume 4,5 liters
 Media Type High Capacity Fine Mesh Cation Resin
 Media Volume 4.5 liters
 Bed Depth Packed
 Free Board None
 Riser Tube 25 mm ABS
 Upper Distributor0.30 mm Slots, Engineered Plastic Basket
 Lower Distributor0.23 mm Slots, Engineered Plastic Basket
 Under bedding None
 Regeneration ControlAccuDial Meter
 Regeneration Type Countercurrent
 Salt Capacity(Pellets).....10 kg

Connections

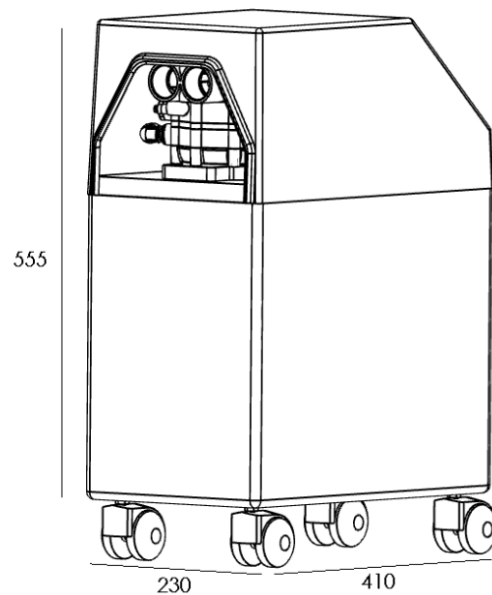
Inlet / Outlet Connections Custom Adapter and Bracket
 Drain Connection 0.375" Tube
 Brine Line Connection 0.375" Tube (internal)
 Overflow Connection 0.625" Tube
 Power None

Part Numbers

Kinetico Simplex.....#100060
 Module.....#16028

Dimensions and Weight

Height 555 mm
 Width 230 mm
 Depth410 mm
 Shipping Weight 10 kg
 Operating Weight..... 25 kg



Regeneration Specifications @ 2bar

Regeneration Volume 25 liters
 Regeneration Time 11 minutes
 Backwash Flow Control 3,79 Lpm #4409
 Brine Refill Flow Control.....0,76 Lpm #9183B

Salt setting	Dosing	Setting	Hardness settings						
			100	125	150	200	250	350	525
0,27 kg	0,06 kg/l	PPM	101	126	150	206	252	370	555
		°dH	6	7	8	11	14	20	30
		°f	10	13	15	21	25	37	55
		Liters/Reg.	1083	866	728	531	433	295	197